

DESCRIPTION

- Fixed mount vandal resistant showerhead
- Chrome plated, metal construction
- Brass swivel ball assembly
- Vandal resistant set screws

FLOW

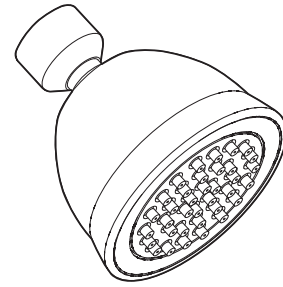
- Designed to deliver 1.5 gpm (5.7 L/min) maximum at 80 psi, 1.1 gpm (4.2 L/min) minimum at 45 psi
- 36 self cleaning spray formers

STANDARDS

- Designed and manufactured to comply with the requirements of: ASME A112.18.1/CSA B125.1 and all requirements referenced therein

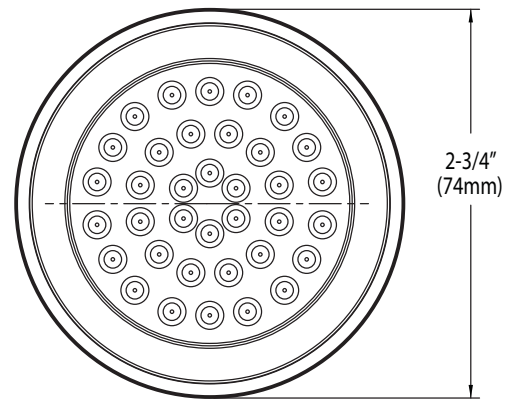
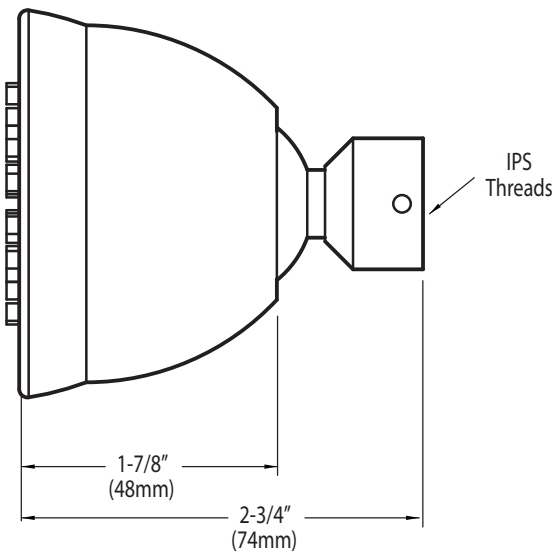
WARRANTY

- Warranted for 5 year against material or manufacturing defects



Single Function Low-Flow Showerhead

Model: 52716EP15



CRITICAL DIMENSIONS

(DO NOT SCALE)